

**Durex®**



**DURabond** **50**  
YEARS  
1967-2017

# Contractor's Guide

**Building Products & Solutions**

**TOOLS & ACCESSORIES**

# Pushing the Envelope for Excellence

You have one thing on your mind when it comes to choosing building products & solutions – they have to do more than perform today; they have to outperform for the long term. That’s why for over 50 years, Durabond has been the choice for those who expect more.

We are a leading manufacturer and developer of Exterior Insulated Cladding Systems, Specialized Architectural Coatings, Concrete Restoration Products, Protective Coatings, and a wide range of other related construction products. Whether a high-rise building or a single-family dwelling, a new construction or a restoration project, we understand the critical importance of getting it right the first time.

Our innovative, highly-engineered and tested systems are a creative solution for architects and designers. We are a tried, true and trusted choice for builders, engineers and homeowners who demand durability, superior flexibility, and aesthetic beauty.



---

## Application Method Legend

### Use of Product



Recommended



Not Recommended



Safety Hazard

---

### Application Methods



Trowel



Roller



Spray



Sponge





# Tools & Accessories

Durabond has a comprehensive line of Tools and Accessories for all of your installation needs. In stock and always available, you can count on the experts at Durabond to get you what you need to help you finish the project on-time.

- Fasteners  
(screws, plugs, nails, plates)
- Groove Tools & Reveals
- Trowels
- Finishing Tools
- Knives
- Rasps
- Painting Accessories
- Spray Guns
- Tape & Masking

## 186 Fasteners

- MJP Anchors
- Steel Fasteners
- Ucan Scru-It Masonry Anchor
- Pin Bolts
- U-Drive - Concrete Nails
- Cement Board Anchors
- Roof Grip Screws
- ULP Plates
- Wind-Devil WDP Plates
- Long-Lock Plates
- SDS Hammer Drill Bit

## 193 Groove Tools/Reveals

- Groove Tool Trowel
- Straight Groove Blade
- Portable Hot Groover
- Windlock 2-QC Blue Hot Knife
- Yellow Hot Knife Kits
- Hot Wire Machine Accessories
- V-Groove Sleds
- V-Groove Blades
- Square Groove Reveals
- Square Groove Blades
- Angled Groove Reveals
- Angled Groove Blades
- Beveled Groove Sleds
- Beveled Groove Blades

## 199 Trowels

- Permashape Golden Stainless Steel "Broken In" Trowel
- Permashape High Carbon "Broken In" Trowel

- Permashape Golden Stainless Steel w/ Durasoft Trowel
- Golden Stainless Steel w/ Durasoft Xtralite Trowel
- Swimming Pool Trowel
- Finishing Float
- Inox Stainless Steel Venetian Trowels
- Corner Trowels
- Notched Trowel
- Tuck Trowel
- Margin Trowel

## 204 Plastering Tools and Accessories

- Featheredges
- Hawks
- Ornament Tools
- Rub Bricks & Accessories
- Bucket Scoops
- Stainless Steel Putty Knives
- Putty Knives
- Knives

## 208 Rasps

- Durarasps
- Tiger Claw Durarasp
- Marshalltown Rasp
- Duravac Heavy Duty Electric Rasp + Shop-Vac Back Pack

## 210 Assorted Tools, Foam Guns, Power Tools

- Hopper & Texture Guns
- Spray Foam, Guns & Cleaner
- Mixing Paddles
- Mixing Drills

## 213 Paint, Tape & Masking

- Chalk Line
- Staple Guns/Tackers
- Staples
- Measuring Tape/Levels
- Top Quality Brushes
- Medium Quality Brushes
- Roller Cage & Refills
- Fiberglass Pole Extensions
- Paint Trays & Accessories
- Wash Brushes
- Masking & Joint Tape
- Stucco Tape & Specialty Masking Tapes
- Tarp/Polyethylene/ Masking
- Window Film Protection Tape
- Kraft Paper

## 217 Flooring Tools

- Squeegees
- Spike Shoes
- Spike Roller
- Flooring Trowels
- Cam Guage Rakes

## Fasteners

## MJP ANCHORS

This high quality, impact resistant plastic fastener is excellent to install soft and rigid insulation materials. The anchor material is shock resistant and the special shaft design ensures consistent holding power.

## Features

- One piece, ready to use fastener
- Larger 1-1/2" head design
- Through fixing
- No heat loss or transfer (thermal bridging)
- Special textured head design for acrylic exterior coatings

## Typical Application

Various type of rigid insulation material installed to block precast concrete, masonry and poured concrete.

## Technical Data

Grip range: 1"-5" insulation thickness.



ITEM #	ITEM NAME	USAGE	UNIT/PALLET
210202	MJP Anchor 2-3/4"	(For 1" to 1-1/2" EPS)	250 PC/BOX
210205	MJP Anchor 3-1/4"	(For 1-1/2" to 2" EPS)	250 PC/BOX
210206	MJP Anchor 4-1/2"	(For 2" to 3-1/4" EPS)	250 PC/BOX
210208	MJP Anchor 5"	(For 3-1/2" to 4" EPS)	250 PC/BOX
210209	MJP Anchor 6-1/4"	(For 4-1/2" to 5" EPS)	250 PC/BOX

## STEEL FASTENERS

Simple to install, this fastener taps its own threads into predrilled concrete, brick or block providing significant holding power. With its unique thread configuration penetration is easier. The point also helps in self alignment.

## Features

- Does not require inserts to be installed first
- Can be removed and re-installed
- Truss #3 square drive head provides positive driving
- Coating meets or exceeds FM4470 corrosion standards and withstands 30 cycles of Kesternich
- DIN 50018 SFW 2.0 tests

ITEM #	ITEM NAME	SIZE	PACKAGING
250102	#6 Self Tapping Metal Screw	1-5/8"	250 PC/BOX
250202	#6 Self Tapping Metal Screw	1-5/8"	5000 PC/BULK
250103	#6 Self Tapping Metal Screw	2"	250 PC/BOX
250203	#6 Self Tapping Metal Screw	2"	3500 PC/BULK
250104	#8 Self Tapping Metal Screw	2-5/8"	250 PC/BOX
250204	#8 Self Tapping Metal Screw	2-5/8"	2500 PC/BULK
250105	#8 Self Tapping Metal Screw	3"	250 PC/BOX
250205	#8 Self Tapping Metal Screw	3"	2000 PC/BULK
250107	#10 Self Tapping Metal Screw	4"	250 PC/BOX
250207	#10 Self Tapping Metal Screw	4"	1000 PC/BULK
250109	#10 Self Tapping Metal Screw	5"	250 PC/BOX
250209	#10 Self Tapping Metal Screw	5"	500 PC/BULK



## Fasteners

### UCAN SCRUI-IT MASONRY ANCHOR

Straight Shank Drill Bit included in each box.

ITEM #	ITEM NAME	SIZE	PACKAGING
220401	Scru-It Anchor	1-1/4"	100 PC/BOX
220402	Scru-It Anchor	1-3/4"	100 PC/BOX
220403	Scru-It Anchor	2-1/4"	100 PC/BOX
220404	Scru-It Anchor	2-3/4"	100 PC/BOX
220406	Scru-It Anchor	3-1/4"	100 PC/BOX
220408	Scru-It Anchor	4" x 1/4"	100 PC/BOX
220409	Scru-It Anchor	5" x 1/4"	100 PC/BOX
220410	Scru-It Anchor	6" x 1/4"	100 PC/BOX
220401B	Scru-It Anchor Bulk	1-1/4"	4000 PC/BOX
220402B	Scru-It Anchor Bulk	1-3/4"	3000 PC/BOX
220403B	Scru-It Anchor Bulk	2-1/4"	2000 PC/BOX
220404B	Scru-It Anchor Bulk	2-3/4"	1500 PC/BOX
220406B	Scru-It Anchor Bulk	3-1/4"	800 PC/BOX
220408B	Scru-It Anchor Bulk	4-1/4"	800 PC/BOX
220409B	Scru-It Anchor Bulk	5-1/4"	700 PC/BOX
220410B	Scru-It Anchor Bulk	6-1/4"	600 PC/BOX



### PIN BOLT

These machine type expansion anchors are formed from Zamac alloy or specially tempered nylon body. Both types are ideally suited for materials of questionable strength. The single and double expansion anchors consist of pre-assembled sets of shields and an internally threaded expander cone.

#### Typical Application

- Timber frames to concrete
- Steel or wood fastening in corrosive environment
- Flashing
- Lightweight fixtures

ITEM #	ITEM NAME	SIZE	PACKAGING
220201	Pin Bolt	1/4" x 7/8"	100 PC/BOX
220202	Pin Bolt	1/4" x 1"	100 PC/BOX
220203	Pin Bolt	1/4" x 1-1/4"	100 PC/BOX
220204	Pin Bolt	1/4" x 1-1/2"	100 PC/BOX
220206	Pin Bolt	1/4" x 2"	100 PC/BOX
220207	Pin Bolt	1/4" x 3"	100 PC/BOX



## Fasteners

**U-DRIVE - CONCRETE NAILS**

The UCAN U-Drive anchor system is a quick, easy, and economical method for securely fastening insulation panels, sheet metal, and wood to concrete and other masonry. U-Drive anchors have spiral shanks, are heat treated to facilitate installation, and hot dip galvanized for maximum corrosion resistance. When used in conjunction with the special close tolerance U-Drive carbide drill bits, they consistently produce fastenings with superior holding power. May be used together with U-Drive plastic stress plate for fastening insulation to concrete or masonry.

**Features**

- Permanent and cost effective anchoring
- High pullout and shear strength
- Quick, easy installation without special tools
- Available in extra long length
- F.M. approved for fastening roof insulation
- Hot dip galvanized for maximum corrosion protection
- Can be used in any type of masonry



ITEM #	ITEM NAME	SIZE	PACKAGING
220501	U-Drive Anchor	1-1/8"	100 PC/BOX
220502	U-Drive Anchor	1-1/2"	100 PC/BOX
220503	U-Drive Anchor	2"	100 PC/BOX
220504	U-Drive Anchor	2-1/2"	100 PC/BOX
220505	U-Drive Anchor	3"	100 PC/BOX
220506	U-Drive Anchor	3-1/2"	100 PC/BOX
220507	U-Drive Anchor	4"	100 PC/BOX
220508	U-Drive Anchor	4-1/2"	100 PC/BOX
220509	U-Drive Anchor	5"	100 PC/BOX
220510	U-Drive Anchor	6"	100 PC/BOX
220511	U-Drive Anchor	7"	100 PC/BOX
220512	U-Drive Anchor	8"	100 PC/BOX
220513	U-Drive Anchor	11"	100 PC/BOX
220515	U-Drive Anchor	1-1/8"	1M PC/BOX
220516	U-Drive Anchor	1-1/2"	1M PC/BOX
220517	U-Drive Anchor	2"	1M PC/BOX
220518	U-Drive Anchor	2-1/2"	1M PC/BOX
220519	U-Drive Anchor	3"	1M PC/BOX
220520	U-Drive Anchor	3-1/2"	500 PC/BOX
220521	U-Drive Anchor	4"	500 PC/BOX
220522	U-Drive Anchor	4-1/2"	500 PC/BOX
220523	U-Drive Anchor	5"	500 PC/BOX
220524	U-Drive Anchor	6"	500 PC/BOX
220525	U-Drive Anchor	7"	500 PC/BOX

## Fasteners

### CEMENT BOARD ANCHORS

Specialty self drilling screws to install cementitious boards. The Phillips wafer head with underside ribs ensures tight engagement in cementitious board or plywood.

#### Features

- Spoon point type for wood and light gauge metal studs
- Drill point type screw for metal studs up to 12-gauge (0.110)
- RUSPRO® coated for extended corrosion protection
- Phillips wafer head with underside ribs
- Withstands 1,000 hrs. salt spray to red rust
- Multi-layer organic, ceramic coating
- High scratch resistance
- Self-repairing
- Resists galvanic corrosion

### WOOD SCREWS

Specially designed for split-prone woods.

#### Features

- Varieties: rolling wood screws, cutting wood screws, and brass wood screws
- Size: 1-3/4"–6"
- Packing according to customers' requirements
- Note that all screws are #8 with the exception of 3-1/2" (# 10)



Wood Screw



Steel Screw



ITEM #	ITEM NAME	SIZE	PACKAGING
240301	Green Wood Screws	1-3/4"	100 PC/BOX
240302	Green Wood Screws	2"	100 PC/BOX
240303	Green Wood Screws	2-1/2"	100 PC/BOX
240304	Green Wood Screws	3"	100 PC/BOX
240305	Green Wood Screws	4"	100 PC/BOX
240306	Green Wood Screws	5"	100 PC/BOX
240307	Green Wood Screws	6"	100 PC/BOX
240310	Green Wood Screws	1-3/4"	500 PC/BOX
240311	Green Wood Screws	2"	500 PC/BOX
240312	Green Wood Screws	2-1/2"	500 PC/BOX
240313	Green Wood Screws	3"	500 PC/BOX
240314	Green Wood Screws	3-1/2"	250 PC/BOX
240325	Green Wood Screws Bulk	4"	500 PC/BOX
240326	Green Wood Screws Bulk	5"	800 PC/BOX
240327	Green Wood Screws Bulk	6"	500 PC/BOX
240332	Green Wood Screws	1-3/4"	4M PC/BOX
240333	Green Wood Screws	2"	3.5M PC/BOX
240334	Green Wood Screws	2-1/2"	2.5M PC/BOX
240336	Green Wood Screws	3"	2M PC/BOX
240337	Green Wood Screws	3-1/2"	1.5M PC/BOX
240305	Green Wood Screws	4"	100 PC/BOX
240306	Green Wood Screws	5"	100 PC/BOX
240307	Green Wood Screws	6"	100 PC/BOX

## Fasteners

### ROOF GRIP SCREWS

- Reliable mechanical fastening of insulation and single-ply membrane to steel (18–26 gauge) and wood roof decks
- Modified buttress thread maximizes pull-out performance and minimizes fastener stripping and back-out
- Deep #3 Phillips recess allows for positive bit engagement
- Patented X-point provides fast and consistent drilling in 18–26 gauge metal and wood decks
- Designed to install quickly and efficiently with the ITW Buildex AccuTrac™ or AccuDrive® XL PLUS Installation tools
- SPEX™ Standard Coating - For reliable long-life corrosion resistance
- Ultimate tensile load - 2562 lbs
- Ultimate shear load - 1299 lbs



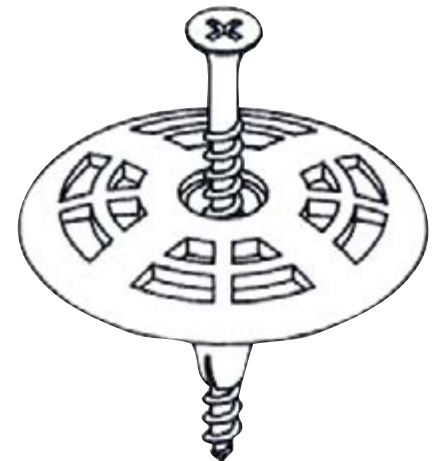
ITEM #	ITEM NAME	USAGE	PACKAGING
240401	Roofgrip Screw	4-3/8"	100 PC/BOX
240402	Roofgrip Screw	5"	100 PC/BOX
240403	Roofgrip Screw	6"	100 PC/BOX
240404	Roofgrip Screw	7"	100 PC/BOX
240405	Roofgrip Screw	8"	100 PC/BOX
240406	Roofgrip Screw	9"	100 PC/BOX
240407	Roofgrip Screw	10"	100 PC/BOX
240409	Roofgrip Screw	12"	100 PC/BOX

### ULP PLATES

The ULP Plate is a surface mounted washer and is not recommended for use within Standard P.B. EIFS. For Standard P.B. applications, refer to WIND-DEVIL (WDP), and LONG-LOCK Fasteners.

#### Engineered Features

- 1-3/4" diameter
- Made of high polypropylene plastic
- Unique design allows plate to flatten out in application
- Large ribs stiffen plate; limited deflection
- 16 keyholes allow for mechanical locking of base coat
- Can be screw-fastened, nailed, or shot
- Engineered "flash" allows for preassembly of screw fasteners



ITEM #	ITEM NAME	PACKAGING
260101	Plate ULP	100 PC/BOX
260102	Plate ULP	250 PC/BOX
260103	Plate ULP	1M PC/BOX



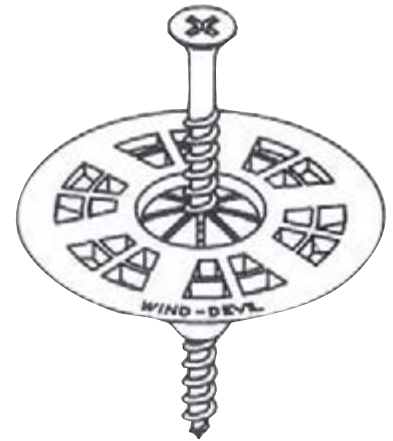
## Fasteners

### WIND-DEVIL WDP PLATES

The Wind-Devil WDP Plate is designed and engineered for use with polymer modified (PM) EIFS. It can be used to attach EPS insulation to a variety of substrates, including wood, metal, and concrete.

#### Engineered Features

- Concrete pull out strengths 378 shown are ultimate values (An appropriate factor of safety must be applied by the user to obtain allowable limits for design)
- Strong polypropylene material provides excellent impact resistance and service life in temperature extremes
- Seat WDP washers flush with or maximum 1/16" below insulation surface (Overdriving WDP Plates may damage the washer and insulation)
- Consult EIFS system manufacturers specifications for appropriate fasteners spacing



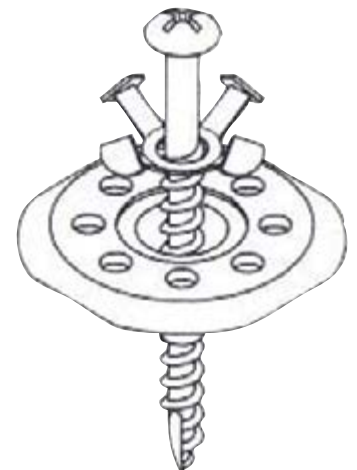
ITEM #	ITEM NAME	PACKAGING
260301	Plate WDP	100 PC/BOX
260302	Plate WDP	250 PC/BOX
260303	Plate WDP	1M PC/BOX

### LONG-LOCK PLATES

The Long-Lock fastening system is designed for the attachment of unique shape. Long-Lock Plates provide easy length selection and flexibility for unique insulation thicknesses. They work in conjunction with all PB & PM systems designed for wood, steel, light metal to 20 gauge, and masonry applications. All long-lock fasteners are highly coated for exterior use. The 1-3/4" long-lock plate, with unique overlapping arm closures and a recessed fastener chamber, is used for thicker insulations such as cornice details, quoins, signage, and other custom foam shapes. Standard long-lock fastener lengths are listed below. Longer lengths available upon request. Contact Wind-lock for details.

#### Engineered Features

- 1-3/4" diameter
- Finger closure and recessed fastener chamber
- Utilized for thicker Insulation
- Reverse angle key holes allow for mechanical locking of base coat



ITEM #	ITEM NAME	PACKAGING
260221	Plate Long-Lock	100 PC/BOX
260223	Plate Long-Lock	1000 PC/BOX

## Fasteners

### SDS HAMMER DRILL BIT

Chrome Vanadium Steel Shaft with unique TMS surface treatment for maximum flexibility and strength. All SDS Bits have a new patented Carbide Tip Self-centering design and 25% more Tungsten carbide for increased speed and bit life. Drills through Q-deck without pre-drilling. New patented Flute Design, increased flute capacity and extra short head for fast dust removal. Improved operator comfort.



ITEM #	ITEM NAME	SIZE
270401	SDS Hammer Drill Bit	5/32" x 4-1/8"
270402	SDS Hammer Drill Bit	5/32" x 5-1/4"
270403	SDS Hammer Drill Bit	5/32" x 6-1/2"
270410	SDS Hammer Drill Bit	3/16" x 4"
270412	SDS Hammer Drill Bit	3/16" x 6"
270420	SDS Hammer Drill Bit	.202 x 4"
270421	SDS Hammer Drill Bit	.202 x 6"
270422	SDS Hammer Drill Bit	.202 x 9-1/2"
270430	SDS Hammer Drill Bit	7/32" x 4"
270431	SDS Hammer Drill Bit	7/32" x 6"
270440	SDS Hammer Drill Bit	1/4" x 4"
270441	SDS Hammer Drill Bit	1/4" x 6"
270442	SDS Hammer Drill Bit	1/4" x 8"
270443	SDS Hammer Drill Bit	1/4" x 12"
270450	SDS Hammer Drill Bit	5/16" x 4"
270451	SDS Hammer Drill Bit	5/16" x 6"
270452	SDS Hammer Drill Bit	5/16" x 8"
270460	SDS Hammer Drill Bit	3/8" x 12"

\*Each packaged seperately.

## Groove Tools / Reveals

### GROOVE TOOL TROWEL

To be used with all plastic sleds (V-Groove, Square, Angled and Bevelled). The Groove Tool Trowel will fit all sleds regardless of size or dimension. Comes with comfort soft handle for easy application.



ITEM #	ITEM NAME	PACKAGING
310802	Groove Tool w/ Durasoft Handle	EACH

## Groove Tools/Reveals

### STRAIGHT GROOVE BLADE

Straight Groove Blades are to be used in conjunction with the Portable Hot Knife or Hot Groover Machine. Excellent For cutting foam and custom trim work.

ITEM #	ITEM NAME	PACKAGING
320170	Q-SB4 4' Straight Hot Knife Blade	2/PACK
320171	Q-SB6 6' Straight Hot Knife Blade	2/PACK



### PORTABLE HOT GROOVER

- Consistent aesthetic grooves can be cut with one clean pass
- The grooves range from 1/2" to 3 1/4" wide, and up to 2" deep
- Portable Power Pack enables you to work without any electrical cords

ITEM #	ITEM NAME	PACKAGING
310340	I-HGKIT Hot Groover Portable Kit	EACH



### WINDLOCK 2-QC BLUE HOT KNIFE

#### 2QC HOT KNIFE KIT

- Cuts foam clean with no beads or dust. Handle stays cool.
- Kit Includes: 2-QC Hot Knife and 4" straight blade. 2-QC-Knife

#### W/ SLED

- Great for cutting out studs.
- Kit Includes: 2-QC Hot Knife, 6" sled, 1/2" x 3" square blade, 4" straight blade 4" and 6" stud cutter blades.

ITEM #	ITEM NAME	PACKAGING
310341	2-QC Hot Knife Kit (Quick Cut)	EACH



### HOT KNIFE ACCESSORIES

ITEM #	ITEM NAME	PACKAGING
310342	Quick Cut 6" Sled Adaptor (Q-Sled)	EACH
310343	Quick Cut Scrolling Straight Edge Guide (Q-Scroll)	EACH
310344	Quick Cut Q-Stop Ceramic Stop	EACH

## Groove Tools/Reveals

### YELLOW HOT KNIFE KITS

Made in Germany. Power Capacity of 105 Watts. Durable, long lasting and heavy duty but easy to use.

*\*Note to user: release the trigger after 15 seconds of use to regulate the heat of the blade.*

ITEM #	ITEM NAME	PACKAGING
320351	Yellow Hot Knife - Vertical Kit (Standard Sled)	PC
320352	Yellow Hot Knife - Horizontal Kit (Large Sled)	PC



### HOT WIRE MACHINE ACCESSORIES

Magnum Power Controller for Hot Wire Tables, Gator Cord to transfer power from Magnum Power Controller to Hot Wire Table. Step Up and Down Transformer from 120V to 220V; vice versa.

ITEM #	ITEM NAME	PACKAGING
310331	Magnum Power Controller	EACH
310332	4' Gator Cord (Magnum Power Cord)	EACH

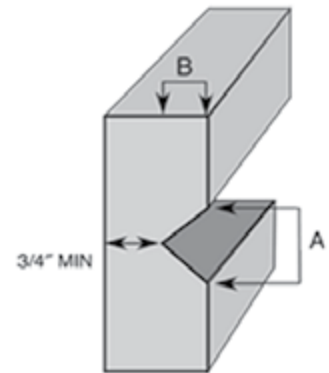


## Groove Tools/Reveals

### V-GROOVE SLEDS

V-Groove Sleds are your most ideal tool to create control joints and reveals within the EIF System. Prior to using the plastic sled, grooves must be cut in the rigid insulation board with the V-Groove blades and a Portable Hot Knife or Hot Groover Machine. Contact your supplier for recommended spacing and proper use of control/expansion joints and reveals within the EIFS System.

- V-Groove Sleds come 1 per package.
- Each V-Groove sled is manufactured to do both the basecoat and finish coat (no additional sizes or pieces are required)
- Sizes are width (A) x depth (B)
- All plastic reveals are to be used in conjunction with the Groove Tool Trowel
- Custom sizes can be made upon request



ITEM #	ITEM NAME	SIZE	PACKAGING
320110	GSV-5050 V-Groove Sled	1/2" x 1/2"	1/PACK
320111	GSV-75 V-Groove Sled	3/4" x 3/8"	1/PACK
320112	GSV-7575 V-Groove Sled	3/4" x 3/4"	1/PACK
320113	GSV-100 V-Groove Sled	1" x 1/2"	1/PACK
320114	GSV-175 V-Groove Sled	1" x 3/4"	1/PACK
320115	GSV-101 V-Groove Sled	1" x 1"	1/PACK
320116	GSV-150 V-Groove Sled	1-1/2" x 3/4"	1/PACK
320117	GSV-200 V-Groove Sled	2" x 1"	1/PACK

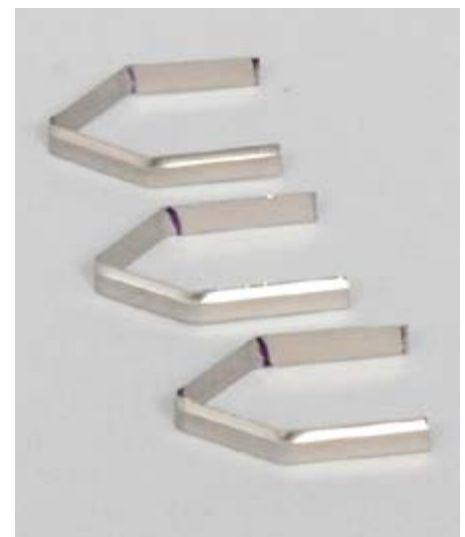
### V-GROOVE BLADES

V-Groove Blades are the ideal tool to cut straight and clean control joints and reveals in the rigid insulation of the EIFS System. Prior to using the plastic V-Groove sled, grooves must be cut in the rigid insulation board with the V-Groove blades and a Portable Hot Knife or Hot Groover Machine. Contact your supplier for recommended spacing and proper use of control/expansion joints & reveals within the EIFS System.

V-Groove Blades come 3 per package; Sizes are width (A) x depth (B).

All metal V-Groove Blades are to be used in conjunction with the Portable Hot Knife or Hot Groover Machine.

ITEM #	ITEM NAME	SIZE	PACKAGING
320200	HV-5050 V-Groove Blade	1/2" x 1/2"	3/PACK
320201	HV-75 V-Groove Blade	3/4" x 3/8"	3/PACK
320202	HV-7575 V-Groove Blade	3/4" x 3/4"	3/PACK
320203	HV-100 V-Groove Blade	1" x 1/2"	3/PACK
320204	HV-175 V-Groove Blade	1" x 3/4"	3/PACK
320205	HV-101 V-Groove Blade	1" x 1"	3/PACK
320206	HV-150 V-Groove Blade	1-1/2" x 3/4"	3/PACK
320207	HV-200 V-Groove Blade	2" x 1"	3/PACK

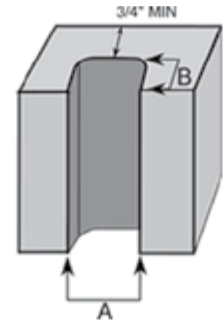


## Groove Tools/Reveals

### SQUARE GROOVE REVEALS

Square Groove Sleds are the ideal tool to create control joints and reveals within the EIFS System. Prior to using the plastic sled, grooves must be cut in the rigid insulation board with the Square Groove blades and a Portable Hot Knife or Hot Groover Machine. Contact your supplier for recommended spacing and proper use of control/expansion joints and reveals within the EIFS System.

Square Groove Sleds come 2 per package. Custom sizes available upon request. All plastic sleds are to be used in conjunction with the Groove Tool Trowel.



ITEM #	ITEM NAME	SIZE	PACKAGING
320120	GSS-502 Square Reveal	1/2" x 1/2"	2/PACK
320121	GSS-752 Square Reveal	3/4" x 1/2"	2/PACK
320122	GSS-753 Square Reveal	3/4" x 3/4"	2/PACK
320123	GSS-104 Square Reveal	1" x 1/4"	2/PACK
320124	GSS-102 Square Reveal	1" x 1/2"	2/PACK
320125	GSS-103 Square Reveal	1" x 3/4"	2/PACK
320126	GSS-101 Square Reveal	1" x 1"	2/PACK
320127	GSS-152 Square Reveal	1-1/2" x 1/2"	2/PACK

ITEM #	ITEM NAME	SIZE	PACKAGING
320128	GSS-153 Square Reveal	1-1/2" x 3/4"	2/PACK
320129	GSS-151 Square Reveal	1-1/2" x 1"	2/PACK
320130	GSS-202 Square Reveal	2" x 1/2"	2/PACK
320131	GSS-203 Square Reveal	2" x 3/4"	2/PACK
320132	GSS-201 Square Reveal	2" x 3/4"	2/PACK
320133	GSS-254 Square Reveal	2-1/2" x 3/4"	2/PACK
320134	GSS-301 Square Reveal	3" x 1"	2/PACK
320135	GSS-303 Square Reveal	3" x 1-1/2"	2/PACK

### SQUARE GROOVE BLADES

Square Groove Blades are the ideal tool to cut straight and clean control joints and reveals in the rigid insulation of the EIFS System. Prior to using the plastic square groove sled, grooves must be cut in the rigid insulation board with the Square Groove blades and a Portable Hot Knife or Hot Groover Machine. Contact your supplier for recommended spacing and proper use of control/expansion joints and reveals within the EIFS System. All metal Square Groove Blades are to be used in conjunction with the Groove Tool Trowel.



ITEM #	ITEM NAME	SIZE	PACKAGING
320210	HS-502 Square Blade	1/2" x 1/2"	3/PACK
320211	HS-752 Square Blade	3/4" x 1/2"	3/PACK
320212	HS-753 Square Blade	3/4" x 3/4"	3/PACK
320213	HS-104 Square Blade	1" x 1/4"	3/PACK
320214	HS-102 Square Blade	1" x 1/2"	3/PACK
320215	HS-103 Square Blade	1" x 3/4"	3/PACK
320216	HS-101 Square Blade	1" x 1"	3/PACK
320217	HS-152 Square Blade	1-1/2" x 1/2"	3/PACK

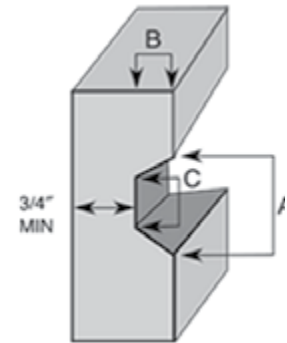
ITEM #	ITEM NAME	SIZE	PACKAGING
320218	HS-153 Square Blade	1-1/2" x 3/4"	3/PACK
320219	HS-151 Square Blade	1-1/2" x 1"	3/PACK
320220	HS-202 Square Blade	2" x 1/2"	3/PACK
320221	HS-203 Square Blade	2" x 3/4"	3/PACK
320222	HS-201 Square Blade	2" x 3/4"	3/PACK
320223	HS-254 Square Blade	2-1/2" x 3/4"	3/PACK
320224	HS-301 Square Blade	3" x 1"	3/PACK
320225	HS-303 Square Blade	3" x 1-1/2"	3/PACK

## Groove Tools/Reveals

### ANGLED GROOVE REVEALS

Angled Groove Reveals are the ideal tool to create control joints and reveals within the EIFS System. Prior to using the plastic sled, grooves must be cut in the rigid insulation board with the Angled Groove blades and a Portable Hot Knife or Hot Groover Machine. Contact your supplier for recommended spacing and proper use of control/expansion joints and reveals within the EIFS System.

ITEM #	ITEM NAME	SIZE	PACKAGING
320140	GSA-102 Angled Reveal	1" x 1/2" x 1/2"	1/PACK
320141	GSA-104 Angled Reveal	1" x 3/4" x 1/4"	1/PACK
320142	GSA-152 Angled Reveal	1-1/2" x 1/2" x 1"	1/PACK
320143	GSA-154 Angled Reveal	1-1/2" x 3/4" x 3/4"	1/PACK
320144	GSA-200 Angled Reveal	2" x 1/2" x 1"	1/PACK
320145	GSA-202 Angled Reveal	2" x 1/2" x -1/2"	1/PACK
320146	GSA-204 Angled Reveal	2" x 3/4" x 1-1/4"	1/PACK
320147	GSA-201 Angled Reveal	2" x 1" x 1"	1/PACK
320148	GSA-251 Angled Reveal	2-1/2" x 1" x 1-1/2"	1/PACK
320149	GSA-253 Angled Reveal	2-1/2" x 1-1/2" x 1"	1/PACK
320150	GSA-302 Angled Reveal	3" x 1/2" x 2-1/2"	1/PACK
320151	GSA-301 Angled Reveal	3" x 1" x 2"	1/PACK
320152	GSA-303 Angled Reveal	3" x 1-1/2" x 1-1/2"	1/PACK



### ANGLED GROOVE BLADES

Angled Groove Blades are the ideal tool to cut straight and clean control joints and reveals in the rigid insulation of the EIFS System. Prior to using the plastic angled groove sled, grooves must be cut in the rigid insulation board with the Angled Groove blades and a Portable Hot Knife or Hot Groover Machine. Contact your supplier for recommended spacing and proper use of control/expansion joints and reveals within the EIFS System.

ITEM #	ITEM NAME	SIZE	PACKAGING
320230	HA-102 Angled Blade	1" x 1/2" x 1/2"	3/PACK
320231	HA-104 Angled Blade	1" x 3/4" x 1/4"	3/PACK
320232	HA-152 Angled Blade	1-1/2" x 1/2" x 1"	3/PACK
320233	HA-154 Angled Blade	1-1/2" x 3/4" x 3/4"	3/PACK
320234	HA-200 Angled Blade	2" x 1/2" x 1"	3/PACK
320235	HA-202 Angled Blade	2" x 1/2" x 1-1/2"	3/PACK
320236	HA-204 Angled Blade	2" x 3/4" x 1-1/4"	3/PACK
320237	HA-201 Angled Blade	2" x 1" x 1"	3/PACK
320238	HA-251 Angled Blade	2 -1/2" x 1" x 1-1/2"	3/PACK
320239	HA-253 Angled Blade	2-1/2" x 1-1/2" x 1"	3/PACK
320240	HA-302 Angled Blade	3" x 1/2" x 2-1/2"	3/PACK
320241	HA-301 Angled Blade	3" x 1" x 2"	3/PACK
320242	HA-303 Angled Blade	3" x 1-1/2" x 1-1/2"	3/PACK

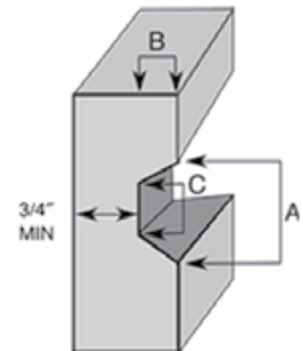


## Groove Tools/Reveals

### BEVELED GROOVE SLEDS

Beveled Groove Reveals are the ideal tool to create control joints and reveals within the EIFS System. Prior to using the plastic sled, grooves must be cut in the rigid insulation board with the Beveled Groove blades and a Portable Hot Knife or Hot Groover Machine. Contact your supplier for recommended spacing and proper use of control/expansion joints and reveals within the EIFS System.

ITEM #	ITEM NAME	SIZE	PACKAGING
320160	GSB-102 Beveled Sled	1" x 1/2" x 1/2"	1/PACK
320161	GSB-104 Beveled Sled	1" x 3/4" x 1/4"	1/PACK
320162	GSB-153 Beveled Sled	1-1/2" x 1/2" x 1"	1/PACK
320163	GSB-154 Beveled Sled	1-1/2" x 3/4" x 3/4"	1/PACK
320164	GSB-151 Beveled Sled	2" x 1/2" x 1"	1/PACK
320165	GSB-204 Beveled Sled	2" x 1/2" x 1-1/2"	1/PACK
320166	GSB-201 Beveled Sled	2" x 3/4" x 1-1/4"	1/PACK
320167	GSB-254 Beveled Sled	2" x 1" x 1"	1/PACK
320168	GSB-301 Beveled Sled	2-1/2" x 1" x 1-1/2"	1/PACK



### BEVELED GROOVE BLADES

Beveled Groove Blades are the ideal tool to cut straight and clean control joints and reveals in the rigid insulation of the EIFS System. Prior to using the plastic beveled groove sled, grooves must be cut in the rigid insulation board with the beveled groove blades and a Portable Hot Knife or Hot Groover Machine. Contact your supplier for recommended spacing and proper use of control/expansion joints and reveals within the EIFS System.

ITEM #	ITEM NAME	SIZE	PACKAGING
320250	HB-102 Beveled Blade	1" x 1/2" x 3/4"	3/PACK
320251	HB-104 Beveled Blade	1" x 3/4" x 1/2"	3/PACK
320252	HB-153 Beveled Blade	1-1/2" x 3/4" x 3/4"	3/PACK
320253	HB-154 Beveled Blade	1-1/2" x 3/4" x 1"	3/PACK
320254	HB-151 Beveled Blade	1-1/2" x 1" x 7/8"	3/PACK
320255	HB-204 Beveled Blade	2" x 3/4" x 1-1/2"	3/PACK
320256	HB-201 Beveled Blade	2" x 1" x 1-3/8"	3/PACK
320257	HB-254 Beveled Blade	2-1/2" x 3/4" x 2"	3/PACK
320258	HB-301 Beveled Blade	3" x 1" x 2-3/8"	3/PACK





## Trowels

**PERMASHAPE GOLDEN STAINLESS STEEL “BROKEN IN” TROWEL**

Highest grade stainless steel properly shaped and tempered to a olden finish. Aluminum alloy mounting is lightweight but very strong. PermaShape® process helps maintain original broken-in shape.

DuraSoft® handle provides a soft feel, reduces fatigue, and offers excellent durability.

- Broken-in shape eliminates line and ripple marks right from the start
- Beveled work edges prevent surface aggregate popping
- Great for beginners; Can do a better job and be more productive



ITEM #	ITEM NAME	SIZE	PACKAGING
400101	PB1GSD PermaShape G.S.S. “Broken-In” Trowel	11” x 4-1/2”	EACH
400102	PB4GSD PermaShape G.S.S. “Broken-In” Trowel	11” 1/2 x 4-1/2”	EACH
400103	PB7GSD PermaShape G.S.S. “Broken-In” Trowel	12” x 5”	EACH
400104	PB13GSD PermaShape G.S.S. “Broken-In” Trowel	13” x 5”	EACH
400105	PB145GSD PermaShape G.S.S. “Broken-In” Trowel	14” x 5”	EACH
400106	PB165GSD PermaShape G.S.S. “Broken-In” Trowel	15” x 5”	EACH

**PERMASHAPE HIGH CARBON “BROKEN IN” TROWEL**

- Highest grade high carbon spring steel blade, lightweight but very strong
- PermaShape® process helps maintain original broken-in-shape
- DuraSoft® handle provides a soft feel, reduces fatigue, and offers excellent durability
- Beveled work edges prevent surface aggregate popping
- Great for beginners; Can do a better job and be more productive



ITEM #	ITEM NAME	SIZE	PACKAGING
400113	PB64D PermaShape H.C. “Broken-In” Trowel	14” x 4”	EACH
400115	PB66D PermaShape H.C. “Broken-In” Trowel	16” x 4”	EACH

## Trowels

### PERMASHAPE GOLDEN STAINLESS STEEL W/DURASOFT TROWEL

- Guaranteed to stay flat use after use highest grade stainless steel
- Properly shaped and tempered to a golden finish
- Withstands pressure of hard-trowelling
- Flat blade makes applications easier with more consistent finish
- Available with either comfortable wood handle or DuraSoft handle
- Provides soft feel, and reduces fatigue
- Best seller!



ITEM #	ITEM NAME	SIZE	PACKAGING
400123	62GSFPD Permashape Golden "Stainless W/ Durasoft	12" x 4"	EACH

### GOLDEN STAINLESS STEEL W/DURASOFT XTRALITE TROWEL

- Made from the highest grade stainless steel, properly shaped and tempered stainless rivets.
- Aluminum alloy mounting is lightweight but very strong.
- Resilient DuraSoft handle provides a soft feel and reduces fatigue



ITEM #	ITEM NAME	SIZE	PACKAGING
400131	MXS4GSD Golden Stainless w/ Durasoft Xtralite	11-1/2" x 4-3/4"	EACH
400132	MXS72GSD Golden Stainless w/ Durasoft Xtralite	12" x 5"	EACH
400133	MXS13GSD Golden Stainless w/ Durasoft Xtralite	13" x 5"	EACH
400134	MXS145GSD Golden Stainless w/ Durasoft Xtralite	14" x 5"	EACH
400136	MXS165GSD Golden Stainless w/ Durasoft Xtralite	16" x 5"	EACH
400137	MXS185GSD Golden Stainless w/ Durasoft Xtralite	18" x 5"	EACH
400138	MXS205GD Golden Stainless w/ Durasoft Xtralite	20" x 5"	EACH

## Trowels

### SWIMMING POOL TROWEL

- Blade is made from the highest grade spring steel that is properly shaped
- Tempered short aluminum alloy mounting and a curved hardwood handle
- Blade is flexible enough to conform to almost any radius
- Ends of the blade have a fully curved fit



ITEM #	ITEM NAME	SIZE	PACKAGING
400230	SP10 Swimming Pool Trowel	10" x 3"	EACH
400231	SP12 Swimming Pool Trowel	12" x 3-1/2"	EACH
400232	SP14 Swimming Pool Trowel	14" x 4"	EACH
400233	SP16 Swimming Pool Trowel	16" x 4-1/2"	EACH
400234	SP815 Swimming Pool Trowel	18" x 5"	EACH
400235	SP205 Swimming Pool Trowel	20" x 5"	EACH

### FINISHING FLOAT

Reinforced plastic finishing trowel (Sicodur base) with plastic or wood handle. Due to its ergonomic shape, a highly comfortable grip is possible. To reset the grip we recommend to clean the handle, after removing the exceeding material, with a standard solvent.



ITEM #	ITEM NAME	SIZE	PACKAGING
400240	Italian Red Float (Wood Handle)	14" x 6"	EACH
400242	Italian Red Float (Wood Handle)	11" x 5"	EACH
400243	Italian Red Float (Wood Handle)	9-1/2" x 4"	EACH
400244	White Plastic Trowel	11" x 5"	EACH
400245	2" Plastic Detail Float	2" x 11"	EACH
400249	Cement Foam Float Green Sponge	9-1/2" x 4"	EACH
400250	Cement Rubber Float Black	9-1/2" x 4"	EACH

### INOX STAINLESS STEEL VENETIAN TROWELS

Inox Stainless Steel Venetian trowels are to be used as a finishing trowel for all DUREX Flat Finishes. Made of INOX stainless steel, Venetian trowels are ideal for preserving the true colour of your DUREX fine finishes without burning. Its faired lip, ground blade and curved corners ensure perfect application when polishing Venetian plaster and DUREX flat finishes



ITEM #	ITEM NAME	SIZE	PACKAGING
400247	INOX Stainless Steel Venetian Trowel	8" x 3"	EACH
400248	INOX Stainless Steel Venetian Trowel	9-1/2" x 3-1/2"	EACH

## Trowels

**CORNER TROWELS**

- 4-1/4" long stainless steel blade at 90° or 45°
- Specially designed for EIFS applications
- Cleanly finish square corners around windows, doors, and the many aesthetic details EIFS systems encourage, like keystone corners and wall bands.

**INSIDE CORNER TROWEL**

ITEM #	ITEM NAME	SIZE	PACKAGING
400250	Corner Trowel Inside	1"	EACH
400251	Corner Trowel Inside	1-1/2"	EACH
400252	Corner Trowel Inside	2"	EACH

**OUTSIDE CORNER TROWEL**

ITEM #	ITEM NAME	SIZE	PACKAGING
400253	Corner Trowel Outside	1"	EACH
400254	Corner Trowel Outside	1-1/2"	EACH
400255	Corner Trowel Outside	2"	EACH

**900 CORNER EDGER**

ITEM #	ITEM NAME	SIZE	PACKAGING
400256	Corner Edger 90 Degree	1"	EACH
400257	Corner Edger 90 Degree	1-1/2"	EACH
400258	Corner Edger 90 Degree	2"	EACH

**ANGLED CORNER TROWEL**

ITEM #	ITEM NAME	SIZE	PACKAGING
400259	Corner Trowel Angled Left Hand	1" x 4-1/4"	EACH
400260	Corner Trowel Angled Left Hand	2" x 4-1/4"	EACH
400261	Corner Trowel Angled Right Hand	1" x 4-1/4"	EACH
400262	Corner Trowel Angled Right Hand	2" x 4-1/4"	EACH



## Trowels

### NOTCHED TROWELS

- Cast aluminum alloy mounting is securely attached with rivets to the tempered steel blade
- The hardest blade available, making them last longer
- Notch style and size help to control depth and amount of adhesive applied
- Blade size is 11 X 4112 (Part #'s 5772S, 5776S, 5783S and 5784S are 12 x 4112)



ITEM #	ITEM NAME	SIZE	SHAPE
400270	5776S Notched Trowel	1/2" x 1/2" x 2"	'U'
400275	Quantum Select Notched Trowel	-	-

### TUCK TROWEL

- Forged in one piece; tapered for the required sturdiness and correct flexibility
- High shank and high lift give plenty of hand room
- Hardwood handle with metal ferrule



ITEM #	ITEM NAME	SIZE
400283	Tuck Trowel #506	6-3/4" x 1/2"
400284	Tuck Trowel #507	6-3/4" x 5/8"
400285	Tuck Trowel #508	6-3/4" x 3/4"
400286	Tuck Trowel #509	6-3/4" x 7/8"
400287	Tuck Trowel #510	6-3/4" x 1"

### MARGIN TROWEL

- Forged from a single piece of highest grade tool steel
- Tempered, ground, and polished from toe to heel
- Hardwood handle with metal ferrule



ITEM #	ITEM NAME	SIZE
400290	Margin Trowel #52	5" x 2"
400291	Margin Trowel #54	5" x 1-1/2"
400292	Margin Trowel #56	6" x 2"
400293	Margin Trowel #58	8" x 2"

## Plastering Tools & Accessories

### FEATHEREDGES

- Magnesium alloy is lightweight and long wearing
- Extrusion shape allows for comfortable finger grip
- Tool pitch is controlled with thumb and palm
- Used in the plastering trade to plane the brown coat and square up the inside corner angles



ITEM #	ITEM NAME	SIZE
400300	Featheredge Magnesium	4' x 4-1/2"
400301	Featheredge Magnesium	6' x 4-1/2"
400302	Featheredge Magnesium	8' x 4-1/2"
400303	Featheredge Magnesium	10' x 4-1/2"
400304	Featheredge Magnesium	12' x 4-1/2"

### HAWK

Made of heavy gauge hard-rolled aluminum. Lightweight but durable. Edges have been smoothed and the corners rounded for convenience. 3-5/8" flange with extended hub that is threaded for the handle. Handle and sponge rubber callus included.



ITEM #	ITEM NAME	SIZE
400310	1D Aluminum Hawk W/ Durasoft	13" x 13"
400314	5D Aluminum Hawk W/ Durasoft	12" x 12"

### FIBERGLASS

ITEM #	ITEM NAME	SIZE
400315	2166D Fiberglass Hawk W/ Durasoft	12" x 12"

### ORNAMENT TOOLS

Perfectly forged and tempered. Used in the detailing of ornate foam shapes and unusual wall surfaces. Also ideal for plaster work and drywall work in small areas.

ITEM #	ITEM NAME	SIZE
400355	Leaf & Square Ornament Tool Kit	(ALL SIZES)



## Plastering Tools & Accessories

### RUB BRICKS AND ACCESSORIES

#### RUB BRICK

Fluted silicon carbide stone; 20-grit. Ideal for dressing down and removing form marks from concrete and smoothly shaping tile edges.

ITEM #	ITEM NAME	SIZE
400320	Rub Brick	6" x 3" x 1"
400321	Rub Brick	8" x 3-1/2" x 1-1/2"



#### BALL POINT CONCRETE CHISEL

The Ball point has an edge that start easier, cuts faster and lasts longer. Used to cut through and break up concrete. Forged from tool steel, then tempered to correct final hardness. Always use safety goggles or glasses when using a chisel.

ITEM #	ITEM NAME
400330	Bull Point Concrete Chisel



#### SCARIFIERS

Made of lightweight yet sturdy, flexible blue steel or stainless steel. "SS" denotes stainless steel tiles. Comfortable handle is attached to a non-corrosive aluminum backer plate. 1/4" wide, 3" long tiles will easily scratch the plaster undercoat to promote a good bond with the finish coat.

ITEM #	ITEM NAME	SIZE
400340	Scarifer Blue Steel #722	8"
400342	Scarifer Blue Steel #723	12"
400341	Scarifer Stainless Steel #722SS	8"
400343	Scarifer Stainless Steel #723SS	12"



### BUCKET SCOOPS

Eliminates the hawk. Scoops an even trowel full every time. Bucket hanging clip for easy storage; galvanized steel construction.

ITEM #	ITEM NAME	PACKAGING
400265	Bucket Scoop Plastic	EACH
400266	Bucket Scoop Metal	EACH



## Plastering Tools & Accessories

### STAINLESS STEEL PUTTY KNIVES

#### BENNETT STAINLESS STEEL PUTTY KNIVES

Fluted silicon carbide stone; 20-grit. Ideal for dressing down and removing form marks from concrete and smoothly shaping tile edges.

ITEM #	ITEM NAME	SIZE
420124	Bennett Stainless Steel Putty Knife	4"
420125	Bennett Stainless Steel Putty Knife	5"
420126	Bennett Stainless Steel Putty Knife	6"



#### KRAFT STAINLESS STEEL PUTTY KNIVES

ITEM #	ITEM NAME	SIZE
420314	Kraft Stainless Steel Putty Knife	4"
420315	Kraft Stainless Steel Putty Knife	5"
420316	Kraft Stainless Steel Putty Knife	6"

### PUTTY KNIVES

- Available in a flexible and a stiff bevel ground blade, forged from high carbon steel polished to a mirror like finish.
- Soft-grip ergonomic hammer-end handle gives you great grip and comfort while the flexible putty knife is perfect for all other uses.

#### FLEXIBLE PUTTY KNIFE

ITEM #	ITEM NAME	SIZE
420100	Flexible Putty Knife	2"
420101	Flexible Putty Knife	3"
420102	Flexible Putty Knife	4"
420103	Flexible Putty Knife	5"
420104	Flexible Putty Knife	6"



#### HAMMER HEAD TAPING KNIFE

ITEM #	ITEM NAME	SIZE
420113	Hammer Head T.knife	3"
420114	Hammer Head T.knife	4"
420115	Hammer Head T.knife	5"
420116	Hammer Head T.knife	6"



#### 5-IN-1 & 6-IN-1 TOOL

ITEM #	ITEM NAME
420117	5-IN-1 Tool
420118	6-IN-1 Tool

#### POINT EDGE KNIFE

ITEM #	ITEM NAME	SIZE
420109	Point Edge Knife	1-1/2"





## Plastering Tools & Accessories

### KNIVES

OLFA® manufactures the world's premium line of professional cutters, knives, blades and accessories. L-2 OLFA knife is the original heavy-duty cutter. Contoured handle includes a stainless steel blade channel and ratchet wheel blade locking mechanism. The H-1 OLFA Knife has an extra heavy-duty sure grip cutter and features a ratchet wheel blade lock to prevent slipping, rubber grip insert for positive handle control and a rope loop. Perfect for cutting through difficult materials. LB blades offer 8 cutting edges per blade strip. 50 pack features 400 cutting edges, while the larger HB blades offer 7 cutting edges per blade strip, while the 20 pack features 140 cutting edges. The light duty orange utility knife offers a cheaper disposable alternative to the top quality OLFA L-1 and H-1 knives with 8 cutting edges per blade strip.



#### HEAVY DUTY KNIFE

ITEM #	ITEM NAME	MODEL	PACKAGING
420622	OLFA Knife H-1	-	EACH
420652	OLFA Knife L-2	-	EACH

#### LIGHT DUTY KNIFE

ITEM #	ITEM NAME	MODEL	PACKAGING
420502	Light Duty Orange Utility Knife	-	EACH

#### REPLACEMENT BLADES

ITEM #	ITEM NAME	MODEL	PACKAGING
420691	#LB-10B OLFA Blades	LB-10B	10/PKG
420692	#LB-50B OLFA Blades	LB-50B	50/PKG
420693	#HB-20 OLFA Heavy Blades Bulk	HB-20B	20/PKG
420695	#HB-5B OLFA Heavy Spare Blade	HB-5B	5/PKG
420696	#HBB-20B OLFA Ultramax Blades	HBB-20B	20/PKG

#### SCRAPERS & SCRAPER REPLACEMENT BLADES

ITEM #	ITEM NAME	MODEL	PACKAGING
420661	Multi Purpose 4 Edge Scraper	T-25	EACH
420662	Scraper Replacement Blade	TB-25/10B	10/PKG
420663	Stainless Steel Fixed Scraper	SCR-L	EACH
420665	Heavy Duty 12" Scraper	BSR-300	EACH
420666	BSR-300 Replacement Blade	4" x 3/4" BS-10B	EACH
420667	BSR-300 Replacement Blade	4" x 1-3/4" BS-6B	EACH



## Rasps

### DURARASPS

- Heavy brazed #12 Tungsten Grit
- Non-gouging rounded corners
- Custom crafted and serial numbered
- Lasts 100 times longer than Rasp Paper
- Tungsten Carbide Composition with “Soft-Grip” Handle



ITEM #	ITEM NAME	SIZE	PACKAGING
450114	Demand Durarasp	4" x 14"	EACH
450115	Demand Durarasp	6" x 14"	EACH
450116	Demand Durarasp	8" x 14"	EACH

### TIGER CLAW DURARASPS

Remove high spots even faster by shaving with the “Claw”. The same unequalled rasping quality as the original DuraRasp, but now only better. Use the “Claw” to eliminate excess EPS on corners. Composed of Tungsten Carbide with “Soft-Grip” Handle.



ITEM #	ITEM NAME	SIZE	PACKAGING
450118	Tigerclaw Durarasp	4" x 14"	EACH
450119	Tigerclaw Durarasp	6" x 14"	EACH
450120	Tigerclaw Durarasp	8" x 14"	EACH

### MARSHALLTOWN RASP

Durable and economical rasps for leveling foam walls and smoothing basecoat surfaces. Rasps come with one sheet of rasp paper. Replacement paper available.



ITEM #	ITEM NAME	ITEMS/PKG	PACKAGING
450220	8" x 14" Rasp Paper	10 PCS/PK	EACH
450221	4" x 14" Rasp Paper	10 PCS/PK	EACH
450232	Rasp Paper 4"	-	PER FT
450233	Rasp Paper 8"	-	PER FT

Rasps

**DURAVAC HEAVY DUTY ELECTRIC RASP + SHOP-VAC BACK PACK**

Reduce clean-up cost and eliminate the spread of Styrofoam beads on your jobsite from rasping.

ITEM #	ITEM NAME	SIZE	PACKAGING
450302	Duravac Hand Rasp	-	EACH
450303	Shop-Vac Back Pack Vacuum	-	EACH
450302B	Duravac Replacement Blade	6" x 14"	EACH



## Assorted Tools | Foam Guns | Power Tools

### HOPPER & TEXTURE GUNS

Texture guns and hoppers are the best tool for the application of any spray product (i.e. Stucco Spray, Trim Spray, Texture Spray, Ceiling Coat, etc.). The Diana spray kit features the Diana spray gun and hopper, Diana stone throw adaptor, and instructional video.

Note: that the stone throw adaptor only works in conjunction with the Diana spray gun.



ITEM #	ITEM NAME	PACKAGING
470102	#791 Hopper/Gun Texture - Marshalltown	EACH
470103	Sharp Shooter 2.0 Hopper/Gun Texture	EACH
470104	PC301 Kraft Superpro Texture Gun/Hopper	EACH
470105	PC201 Kraft Proform Texture Gun/Hopper	EACH
470106	#796 Spray Gun (No Hopper) - Marshalltown	EACH
470107	#797 Hopper/Clmp (No Gun) - Marshalltown	EACH
470108	Italian Patch Gun #Dc196 Kraft	EACH

### SPRAY FOAM, GUNS & CLEANER

Multi-purpose, professional, low-expansion construction adhesive, gap filler and crack filler. Ideal for EIFS, ICF, Stone Veneer and general purpose gap filling applications. One component polyurethane foam.

- Used for filling, slivering, sealing and insulating joints and cracks
- Professional grade
- Moisture-cure
- Acoustical sealant
- Excellent adhesion to most surfaces
- No CFC/HCFC
- Compatible with EPS boards



#### GUN & STRAW FOAM

ITEM #	ITEM NAME	SIZE	PACKAGING
470406	Wind-Lock Foam 2 Foam	27 oz.	CAN
470408	Ultra Seal Foam For Gun	22 oz.	CAN
470409	Ultra Seal Foam Straw Applicator	22 oz.	CAN

All are available in 12 cans/case



#### GUNS & CLEANER

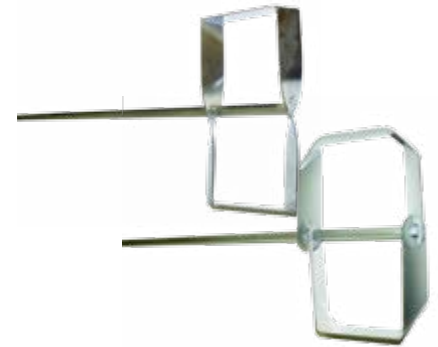
ITEM #	ITEM NAME	PACKAGING
470402	Wind-Lock Foam Gun - Economical	EACH
470403	Soudal Foam Gun - High-Performance	EACH
470410	Ultra Clean Gun Foam Cleaner - 300GM	CAN

## Assorted Tools | Foam Guns | Power Tools

### MIXING PADDLES

The mixing paddles make light work of your mixing requirements. Available in two sizes for either paint (10mm or larger chuck) or plaster/cement/textured coatings (13mm or larger chuck). Use with your electric drill 500–700 rpm.

ITEM #	ITEM NAME	PACKAGING
470511	Ulti Mixer (MIX U-340)	EACH
470512	Speed Mixer #15314	EACH
470513	RM773 Rib Mix	EACH
470531	Drywall Mud Masher #05101	EACH



### MIXING DRILLS

450 rpm drills to be used for heavy mixtures. Use 1000 rpm for more liquid/loose.

#### Engineered Features

- AC/DC, reversing
- No load speed: 450 rpm
- Chuck: 1/2"
- Gear reduction: triple
- 5/8" Spindle for increased durability in high torque applications
- Top handle and back handle for greater control AMPS: 7.0

ITEM #	ITEM NAME	PACKAGING
470312F	Heavy Duty Mixing Drill 1000 RPM	EACH
470312S	Heavy Duty Mixing Drill 450 RPM	EACH



### CHALK LINE

These 100 foot Chalk line reels fit comfortably in your hand and pocket. A lifetime slide fill opening self-locking.

ITEM #	ITEM NAME	SIZE	PACKAGING
490777	Chalk Line	100' ( 30M)	EACH
460776	Chalk Refill	(Small)	EACH
490778	Chalk Refill (Various Colours)	-	EACH



Assorted Tools | Foam Guns | Power Tools

**STAPLE GUNS/TACKERS**

Professional and versatile stapling gun, for fast, intensive jobs. These reliable and professional staplers will not let you down. The staplers have a safety lock down handle, high impact and low recoil action in light modern designs made to the highest professional and industrial quality. Range also includes budget and light weight models—including staples brads and headless pins in all sizes.



ITEM #	ITEM NAME	PACKAGING
470743	T50 Gun Tacker Agrafeur	EACH
470751	Rapid R211 Hammer Tacker	EACH

**STAPLES**

ITEM #	ITEM NAME	PACKAGING
470771	#504 T50 1/4" Staples	PACK
470772	#505 T50 5/16" Staples	PACK
470773	#506 T50 3/8" Staples	PACK
470774	#508 T50 1/2" Staples	PACK
470775	#509 T50 9/16" Staples	PACK



**MEASURING TAPE/LEVELS**

ITEM #	ITEM NAME	SIZE	PACKAGING
490136	Bennet Measuring Tape	25'	EACH
490153	Cast Aluminum Level	48"	EACH
400308	Aluminum Level	6'	EACH
400309	Aluminum Level B	8'	EACH



## Paint, Tape, Brushes & Masking

### TOP QUALITY BRUSHES

Expert Painter's Brushes are top quality brushes, typically used to apply Brushcoat as a finishing coat for mouldings or to be used with DUREX Roller Applied Finishes. The angled bottom helps with application and to reduce the level of fatigue when painting. Also look to Perfection Brushes for a less expensive alternative.

ITEM #	ITEM NAME	SIZE	PACKAGING
460110	Expert Painter's Brush	37 mm	EACH
460111	Expert Painter's Brush	50 mm	EACH
460112	Expert Painter's Brush	63 mm	EACH
460113	Expert Painter's Brush	75 mm	EACH
460115	Perfection Brush	37 mm	EACH
460116	Perfection Brush	50 mm	EACH
460117	Perfection Brush	63 mm	EACH
460118	Perfection Brush	75 mm	EACH



### MEDIUM QUALITY BRUSHES

The best poly brush is a medium quality brush typically used to apply Brushcoat Primer and any other brush applied primers. The polyester brush is a cheap but effective alternative. Typically used for single use applications.

ITEM #	ITEM NAME	SIZE	PACKAGING
460121	Best Poly Brush	30 mm	EACH
460122	Best Poly Brush	50 mm	EACH
460123	Best Poly Brush	75 mm	EACH
460124	Best Poly Brush	100 mm	EACH
460105	Polyester Brush	1"	EACH
460106	Polyester Brush	2"	EACH
460107	Polyester Brush	3"	EACH
460108	Polyester Brush	4"	EACH



### ROLLER CAGE & REFILLS

Roller Cages come in two sizes, 100 and 240 mm. Standard rollers are the 10mm–31mm Pile roller refills, with the standard being the 19mm pile. For a higher quality roller refill, the Expert 18mm pile is woven to provide a cleaner finish. The black stucco texture roller refill is typically used in conjunction with Durex Roltex Finishes to provide a stubble appearance.

ITEM #	ITEM NAME	SIZE	PACKAGING
460102	Bennett Brush & Roller Cleaner		EACH
460204	Roller Cage W/ Handle	240 mm	EACH
460206	3" Bennett Cage/Handle	75 mm	EACH
460222	(10 mm Pile) Roller Refill	240 mm	EACH
460223	(13 mm Pile) Roller Refill	240 mm	EACH
460224	(19 mm Pile) Roller Refill	240 mm	EACH
460225	(31 mm Pile) Roller Refill	240 mm	EACH
460293	Black Stucco Tex. Roller Refill	240 mm	EACH
460227	Expert (18 mm Pile) Woven Roll Refill	240 mm	EACH
460233	Mini Roller Low Pile - 3"	75 mm	EACH



## Paint, Tape, Brushes & Masking

### FIBERGLASS POLE EXTENSIONS

To be used with 240 mm Roller Cages.

ITEM #	ITEM NAME	SIZE	PACKAGING
460295	Fiberglass Extention Pole	2' - 4'	EACH
460296	Fiberglass Extention Pole	3' - 6'	EACH
460297	Fiberglass Extention Pole	4' - 8'	EACH



### PAINT TRAYS & ACCESSORIES

ITEM #	ITEM NAME	SIZE	PACKAGING
460241	Plastic Paint Tray	Standard Size	EACH
460251	Plastic Paint Tray	Jumbo Size	EACH
460243	Plastic Paint Tray Insert	-	EACH
460244	Metal Paint Tray	Small	EACH
460242	Metal Paint Tray	Large	EACH
460914	Bennett Paint Grid	-	EACH



### WASH BRUSHES

This is needed for whitewash plaster applications to wet the surfaces.

ITEM #	ITEM NAME	SIZE	PACKAGING
460169	White Wash Brush	(Medium)	EACH
460176	Clean Up Brush 20"	(Large)	EACH





## Paint, Tape, Brushes & Masking

### MASKING & JOINT TAPE

ITEM #	ITEM NAME	SIZE	PACKAGING
460710	Fillament Joint Tape	1/4"	ROLL
460711	Fillament Joint Tape	3/8"	ROLL
460654	Masking Tape	1"	ROLL
460656	Masking Tape	1-1/2"	ROLL
460658	Masking Tape	2"	ROLL
460666	Green Masking Tape	1"	ROLL
460667	Green Masking Tape	1-1/2"	ROLL
460668	Green Masking Tape	2"	ROLL



### STUCCO TAPE & SPECIALTY MASKING TAPES

Specialty Stucco Masking tapes are specifically designed to be used to protect from heavy stucco and cement coatings. Leaves little to no residue, easily removable and leaves your jobsite cleaner.

ITEM #	ITEM NAME	SIZE	PACKAGING
460670	PE-444 Red Stucco Tape - 7 Day	2"	ROLL
460671	PC-667 Red Stucco Tape - 14 Day	2"	ROLL
460673	3M 3903 Blue Vinyl Tape	2"	ROLL



### TARP/POLYETHYLENE/MASKING

#### TARP

Reinforced rip stop polyethylene tarp. Great for emergency shelter or outdoor use.

ITEM #	ITEM NAME	SIZE	PACKAGING
460755	Tarp (Small)	20' x 30'	EACH
460756	Tarp (Large)	30' x 50'	EACH



#### POLYETHYLENE

Reinforced rip stop polyethylene tarp. Great for emergency shelter or outdoor use.

ITEM #	ITEM NAME	SIZE	PACKAGING
460751	Polyethylene 2 mm	1500 sf	ROLL
460752	Polyethylene 6 mm	1500 sf	ROLL



## Paint, Tape, Brushes & Masking

### WINDOW FILM PROTECTION TAPE

Window Protection Tape temporarily protects window and door surfaces exposed to dirt and debris for the duration of your project. Longer lasting and easier to install than using regular poly and tape. 3M tape adds UV protection and is longer lasting.

ITEM #	ITEM NAME	SIZE	PACKAGING
460680	Uline Window Protection Film Tape (Clear)	36" x 200'	ROLL
460681	3M Mason's Mask Protective Uv Film (Blue)	36" x 200'	ROLL



### KRAFT PAPER

Rolls at the packaging store. Increased cost benefit but no drop in quality from the economy. A low cost, all purpose packaging material. It is 100% recyclable.

ITEM #	ITEM NAME	SIZE	PACKAGING
460603	Kraft Paper (Small)	12" x 120'	ROLL
460602	Kraft Paper (Large)	18" x 150'	ROLL



## Flooring Tools

### SQUEEGEES

ITEM #	ITEM NAME	PACKAGING
440105	24" Squeegee Frame - Aluminum	EACH
440107	Straight Blade Squeegee Replacement Blade - 24" Wide	EACH
440104	1/8" V-Notched Squeegee Replacement Blade - 24" Wide	EACH
440108	1/4" V-Notched Squeegee Replacement Blade - 24" Wide	EACH
440109	1/4" U-Notched Squeegee Replacement Blade - 24" Wide	EACH
400600	26" Squeegee Trowel	EACH
400601	18" Squeegee Trowel	EACH
400602	14" Squeegee Trowel	EACH
400603	12" Squeegee Trowel	EACH
440110	Crack Squeegee (Horseshoe)	EACH



## Flooring Tools

### SPIKE SHOES

ITEM #	ITEM NAME	PACKAGING
490228	Flexible Spike Shoes (Gunitite)	EACH



### SPIKE ROLLERS

ITEM #	ITEM NAME	PACKAGING
460260	Super Spike Roller - 18" with Frame	EACH
460261	Super Spike Roller - 18" Refill	EACH
460262	Super Spike Roller - 18" Frame	EACH
460263	Super Spike Roller - 9" with Frame	EACH
460264	Super Spike Roller - 9" Refill	EACH
460265	Super Spike Roller - 9" Frame	EACH



### FLOORING TROWELS

ITEM #	ITEM NAME	PACKAGING
400604	24" Blue Steel Flexible Smoother	EACH
400605	Blue Steel Flexible Kraft Trowel 12" x 3" - Proform Handle	EACH
400606	Carbon Steel Kraft Trowel 12" x 3" - Proform Handle	EACH
490225	Rubber Knee Pads - Foam	EACH



### CAM GUAGE RAKES

ITEM #	ITEM NAME	PACKAGING
460266	CAM Guage Rake Frame - 24"	EACH
460267	CAM Guage Rake Frame - 36"	EACH
460268	CAM Rake Size 1 - 1/16"	EACH
460269	CAM Rake Size 2 - 1/8"	EACH
460270	CAM Rake Size 3 - 3/8"	EACH



**Concrete & Masonry Restoration**

- Concrete Mix Design Charts
- Durex Dur-A-Patch
- Durex Dryplast
- Durex Dryplast Concentrate
- Durex Uniplast & Acrylic Resin Bond
- Durex Flexcrete
- Durex Ectoflex
- Durex Dur-A-Top 15 Self Leveling Cement
- Durex Sand Mix
- Portland Cement
- Tremco Dymonic 100
- Tremco Vulkem 45 SSL
- Durex EMC Knife Grade
- Durex Acrybond Concentrate
- Acrylic Resin Bond
- Dur-A-Patch Liquid Additive
- Durex Cement Bond
- Durex Acrybond 'S'
- Durex AR Grade 1" Grid Concrete Reinforcing Mesh
- Durex E-Grade 1½" Grid Concrete Reinforcing Mesh (AR Coated)
- Durex Fiberglass Reinforcing Mesh
- Concrete Restoration Guide
- Masonry Restoration Guide

**Moisture Protection**

- Durex Flexcrete
- Durex Blue Shield
- Durex Dur-A-Mastic 100
- Durex Green Guard Plus
- Durex Ectoflex
- Durex Barrier Seam Tape
- Durex Flex Seal
- Durex Flex Seal VP
- Durex Dur-O-Lastic
- Durex Ectoflex
- Super Stick Building Tape
- Durex Flex-Seal Wall Flashing Tape
- Durex Flex-Seal Red Primer
- Durex Durathane B500
- Durex Uraflex 360/375UV
- Durex Acrotel SB
- Durex Uraflex Traffic Bearing Waterproofing System
- Durex Mechanical Room Waterproofing System
- Durex Garbage Room Waterproofing System
- Durex Uraflex 360
- Durex Uraflex 361
- Durex Uraflex 375 UV

**Protective Coatings & Sealers**

- Durex Brush Coat
- Acrotel EC-A
- Durex Ecto-Sil 1000

- Durex EMC
- Durex EMC Knife Grade
- Durex Roltex
- Durex Dur-X-Cel 100
- Durex Dur-X-Cel Primer
- Durex Acrotel SB Non-Porous Primer
- Durex Durathane 90
- Durex Epotel Anti-Corrosion Metal Primer
- Durex Epotel WB DTM
- Durex TBC
- Durex Acrotel SB Metal Primer
- Durex Acrotel DTM
- Durex Acrotel SB Primer
- Durex Acrotel SB Metal
- Durex Wall Seal
- Durex Dur-A-Seal A28
- Durex Dur-A-Seal A.G.
- Durex Dur-A-Seal XL 250
- Durex Acrotel SB Floor Grade
- Durex Concrete Sealer WB 18/25
- Durex Epotel 80
- Durex Diamond LOK
- Durex Silane WRS 40/100

**Floor Coatings**

- Durex Epotel 100 GSC
- Durex Epotel 100 GSC Rapid Cure
- Durex Epotel 100 GSA
- Durex Uraflex 100
- Durex Uraflex 100 OP
- Durex Epoxy Guard Pro
- Durex Epotel 100 UR
- Durex Epotel 100 Novolac
- Durex Epotel 100 CR
- Durex Duracrete Broadcast
- Durex Duracrete Trowel
- Durex Epotel 100 TL
- Durex Duracrete Aggregate
- Durex Uracrete
- Durex Art-I-Stone
- Durex Dur-A-Flake
- Durex Dur-A-Quartz Broadcast
- Durex Dur-A-Quartz Trowel
- Durex Granitech
- Durex Acrutel 50
- Durex Aquathane
- Durex Durathane 90
- Durex Polyuretel
- Durex Epotel Multi-Prime
- Durex Moisture Block 100
- Durex Uraflex Primer
- Durex Uraflex Citrus Primer

- Durex Epotel 100 Crack Filler
- Durex Anti Slip Aggregates
- Durex Acrotel SB
- Durex TBC
- Durex Epoxy Guard
- Durex Epoxy Guard Pro

**Exterior Wall Systems**

- Durex Flexlite Select
- Durex Quantum Select
- Durex Quantum Select MF
- Durex Quantum 5.0
- Durex Quantum Select ICF
- Durex Equalite
- Durex Insulite EW-17
- Durex Flexlite ADH
- Durex Lite Coat
- Durex Stucco Lite
- Durex Stucco Wall
- Durex ICF Coating

**Architectural Coatings & Decorative Finishes**

- Durex Marble Coat 1.5
- Durex Marble Coat 1.0
- Durex Venecian
- Pebble Float
- Durex Sandex
- Durex Trim Spray
- Durex Stucco Spray
- Durex Graffiato
- Durex Sandstone
- Durex Rasato
- Durex Rustico
- Durex Antico Glaze
- Durex Trowel Grade Stucco
- Durex Gemstone
- Durex Granite
- Durex Stonetex
- Durex Crystal Coat
- Durex Cromatex
- Durex Aggex
- Durex Rough Cast
- Durex Decorative Stucco Ext
- Durex Monocapa
- Durex Monofino
- Durex Dur-A-Brick
- Durex Brush Coat
- Durex EMC
- Durex Dur-X-Cel 100
- Durex Roltex
- Durex Kolor Gard
- Durex Elastomeric Brush Coat
- Durex Elastomeric Graffiato
- Durex Elastomeric Marble Coat 1.0
- Durex Elastomeric Marble Coat 1.5
- Durex Elastomeric Sandex
- Durex Elastomeric Venecian

- Acroplast Venetian Plaster
- Durex Super Stipple
- Crackle Size Basecoat
- Crackle Stone & Antique Topcoat
- Crackle Glaze
- Coraltex Metallic Hammer Tone
- Scumble Glaze
- Extender Glaze
- Suede Latex
- Metallic Paint
- Luster Plaster (Orystone)
- Acronament (Gesso)
- Durex Texture Spray
- Durex Ceiling Coat
- Durex Plaster Bond Blue & White

#### EIFS Stucco & Components

- Durex Uniplast & Durex Acrybond 'S
- Durex Flexcrete'
- Durex Monobase
- Durex VCA 3.0 Insulation Adhesive
- Durex Monofino
- Durex Monocapa
- Durex Pool Marble Finish
- Durex Trim Coat
- Durex Fiberglass Reinforcing Mesh
- Durex Intermediate Mesh
- Durex High Impact Mesh
- Durex Detail Fiberglass Mesh
- Durex Trim Mesh
- Durex Barrier Seam Tape
- Durex Quantum Select
- Durex Quantum 5.0
- Durex Flexlite Select EPS
- Type 1 Eps
- Type 2 Eps
- Type 3 Eps
- Durex Equalite Mineral Fiber Insulation
- Durex Boundary Boards
- Durex Flexlite Select Vent Board
- Durex Quantum Select Vent Boards
- Durex Dur-A-Mastic 100
- Durex Blue Shield
- Durex Flexcrete
- Durex Green Guard Plus
- Durex Ectoflex
- Durex Barrier Seam Tape
- Durex Flex-Seal
- Flex-Seal VP
- Durex Primerless
- Durex Primerless EIFS Tape

- Durex EIFS Tape
- Durex Flex Seal Mastic
- Durex Flex Seal Wall Flashing Tape
- Durex Flex Seal Red Primer
- Durex Drainage Mat
- Durex Drainage Vent
- Durex Drainage Track
- Durex Uni-Flash Drainage Track
- Kick-Out Flashing
- Window Drips
- Starter Strip EIFS Drainage
- Durex Dryplast
- Durex Uniplast & Acrylic Resin Bond
- Durex Flexcrete
- Permabase Cement Board
- Durex Glass Gold
- Stucco & Stone Veneer Drainage Matt
- Mesh Lath / Rib Lath
- Metal Corner Bead
- Metal Expansion Joints
- Metal Plaster Stop / Casing Bead
- Plastic Corner Bead
- Plastic Plaster Stop
- X-66 Expansion Joint
- Soffit Vent
- Tremco Spectrum 3
- Tremco Spectrum 4-TS
- Backer Rod
- Durex Caulked Joint Weepers
- Caulk Guns

#### Tools & Accessories

- MJP Anchors
- Steel Fasteners
- Ucan Scru-It Masonry Anchor
- Pin Bolts
- U-Drive - Concrete Nails
- Cement Board Anchors
- Roof Grip Screws
- ULP Plates
- Wind-Devil WDP Plates
- Long-Lock Plates
- SDS Hammer Drill Bit
- Groove Tool Trowel
- Straight Groove Blade
- Portable Hot Groover
- Windlock 2-QC Blue Hot Knife
- Yellow Hot Knife Kits
- Hot Wire Machine Accessories
- V-Groove Sleds
- V-Groove Blades
- Square Groove Reveals
- Square Groove Blades
- Angled Groove Reveals
- Angled Groove Blades
- Beveled Groove Sleds

- Beveled Groove Blades
- Permashape Golden Stainless Steel "Broken In" Trowel
- Permashape High Carbon "Broken In" Trowel
- Permashape Golden Stainless Steel w/ Durasoft Trowel
- Golden Stainless Steel w/ Durasoft Xtralite Trowel
- Swimming Pool Trowel
- Finishing Float
- Inox Stainless Steel Venetian Trowels
- Corner Trowels
- Notched Trowel
- Tuck Trowel
- Margin Trowel
- Featheredges
- Hawks
- Ornament Tools
- Rub Bricks & Accessories
- Bucket Scoops
- Stainless Steel Putty Knives
- Putty Knives
- Knives
- Durarasp
- Tiger Claw Durarasp
- Marshalltown Rasp
- Duravac Heavy Duty Electric Rasp + Shop-Vac Back Pack
- Hopper & Texture Guns
- Spray Foam, Guns & Cleaner
- Mixing Paddles
- Mixing Drills
- Chalk Line
- Staple Guns/Tackers
- Staples
- Measuring Tape/Levels
- Top Quality Brushes
- Medium Quality Brushes
- Roller Cage & Refills
- Fiberglass Pole Extensions
- Paint Trays & Accessories
- Wash Brushes
- Masking & Joint Tape
- Stucco Tape & Specialty Masking Tapes
- Tarp/Polyethylene/Masking
- Window Film Protection Tape
- Kraft Paper
- Squeegees
- Spike Shoes
- Spike Roller
- Flooring Trowels
- Cam Guage Rakes

Durex®

CIRCA 1990



**DURabond** 

## Durabond Products Limited

[www.durabond.com](http://www.durabond.com)

### Head Office - Toronto

55 Underwriters Road  
Scarborough, ON M1R 3B4  
(416) 759 4474

### Mississauga Office

6178 Netherhart Road  
Mississauga, ON L5T 1B7  
1 (905) 565 9283

### Western Canada Office

14345 120th Avenue  
Edmonton, Alberta T5L 2R8  
1 (780) 451 6364

[info@durabond.com](mailto:info@durabond.com)

1 (877) 387 2266