

FWFOC.EW21 Exterior Wall Insulation and Finish Systems

Page Bottom

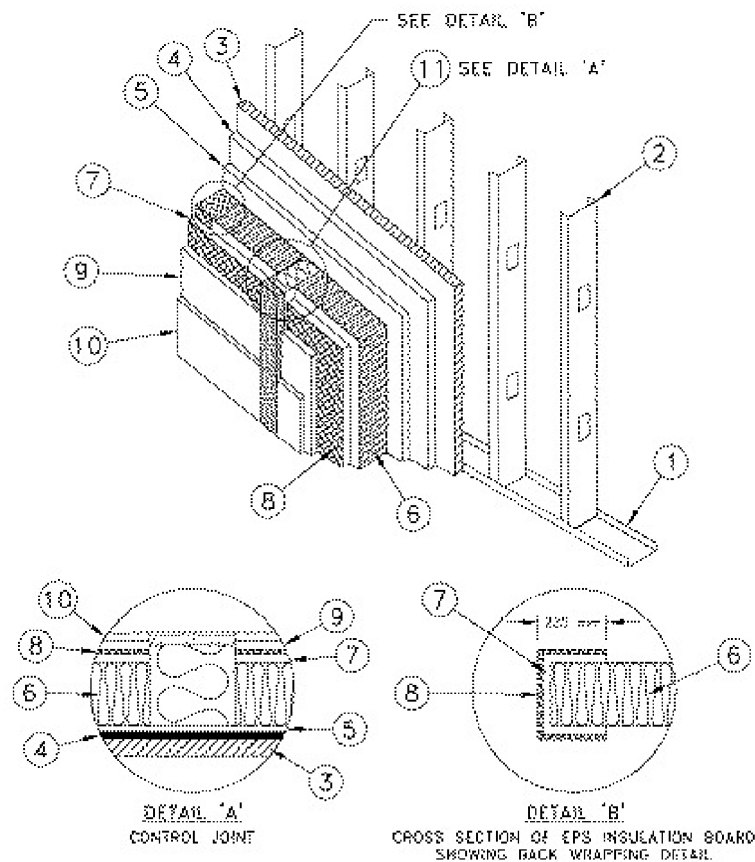
Exterior Wall Insulation and Finish Systems

[See General Information for Exterior Wall Insulation and Finish Systems](#)

System No. EW21

May 17, 2006

EXTERIOR WALL INSULATION AND FINISH SYSTEM



1. Floor and Ceiling Tracks — Galvanized steel channels, 1.0 mm thick by 95 mm deep, with 34 mm wide flanges attached to the supporting structure with steel fasteners.

2. Steel Studs — Galvanized steel channels, 1.1 mm thick by 94 mm deep, with 41 mm wide flanges and 13 mm lips; the studs have 38 mm wide cutouts at 600 mm OC along the web of the channels. The studs are spaced 406 mm OC and are fastened to the floor and ceiling tracks using No. 8-18 wafer head self-tapping steel screws, 12.7 mm long.

3. Wallboard — Nom 12.7 mm thick gypsum boards designated "GP Dens Glass" installed horizontally in staggered rows with vertical joints between boards on wall studs. The boards are fastened to the studs, floor and ceiling track with No. 8, 32 mm long self-tapping screws; the perimeter screws are located 15 mm from the edges of the boards and are spaced 300 mm OC in the vertical direction and 400 mm OC horizontally. In the field of the boards, they are attached to every stud with screws spaced at 300 mm OC in the vertical direction.

- **4. Component for Exterior Wall Insulation and Finish System** — (Guide No. 40 U23.5.3) (FWFXC). A layer of "Durex Green Guard Plus" liquid membrane is applied at a min rate of 0.97 kg/m² over the entire surface of the wallboard.

DURABOND PRODUCTS LTD

- **5. Component for Exterior Wall Insulation and Finish System** — (Guide No. 40 U23.5.3) (FWFXC). A coat of adhesive is installed using a notched trowel over the liquid membrane at a min net rate of 3.56 kg/m². The adhesive consists of a mixture of 1.8 to 1.4 parts by weight of "Durex Flexcrete" liquid to 1 part by weight of "Durex Flexcrete B" powder and 5 to 9% by weight of river run pea gravel.

DURABOND PRODUCTS LTD

6. Type 1, expanded polystyrene insulation boards, 150 mm thick (max) installed horizontally with vertical and horizontal joints offset from those in the wallboard. Maximum 10 mm deep grooves may be cut vertically into the back of insulation boards for drainage. The edges of the insulation board adjacent to the perimeter of the assembly and adjacent to the control joints are backwrapped using the base coat described in item 7, applied at a min rate of 7.76 kg/m² and enveloped by a layer of fiberglass mesh having an area density of 0.19 kg/m². Fiberglass mesh and base coat overlap both faces of EPS board a min of 225 mm. The insulation boards are then pressed firmly onto the coat of adhesive. An additional layer of fiberglass mesh and base coat is wrapped around the edges of the EPS boards adjacent to the control joints. The insulation boards are installed such that the horizontal and vertical control joints are max 10 mm wide and spaced a min of 1520 mm OC.

- **7. Component for Exterior Wall Insulation and Finish System** — (Guide No. 40 U23.5.3) (FWFXC). The insulation boards (item 6) are rasped and a layer of base coat is applied over the insulation boards at a min wet application rate of 4.25 kg/m². The base coat consists of a mixture of 5 parts by weight of "Durex Uniplast" powder to 1.0 part by weight of "Durex Acrybond S" liquid. The surface of this layer of base coat is to be lightly rasped after curing is complete.

DURABOND PRODUCTS LTD

8. A layer of fiberglass mesh reinforcement with an area density of 0.19 kg/m² is installed vertically with a 235 mm overlap between strips. The mesh is to be trowelled into the uncured top surface of the first layer of base coat (Item 7).

- **9. Component for Exterior Wall Insulation and Finish System** — (Guide No. 40 U23.5.3) (FWFXC) A second layer of base coat is applied at a min wet application rate of 3.1 kg/m². The base coat consists of a mixture of 5 parts by weight of "Durex Uniplast" powder to 1.0 part by weight of "Durex Acrybond S" liquid.

DURABOND PRODUCTS LTD

- **10. Component for Exterior Wall Insulation and Finish System** — (Guide No. 40 U23.5.3) (FWFXC). One layer of premixed "Durex Venetian Fine Coating" applied at a min wet application rate of 3.44 kg/m² over base coat.

DURABOND PRODUCTS LTD

11. **Control Joints** — Max width of joint 10 mm with min spacing of horizontal and vertical joints of 1520 mm OC. Control joints filled with min 3.2 mm thickness of "Sonolastic 150 Sealant" installed over a layer of compressed mineral wool or backer rod, recessed 3.2 mm from wall surface. Sealant installed flush with the exterior wall surface.

Last Updated on 2006-05-17

[Questions?](#)

[Print this page](#)

[Notice of Disclaimer](#)

[Page Top](#)

[Copyright © 2010 Underwriters Laboratories of Canada Inc.](#)

The appearance of a company's name or product in this database does not in itself assure that products so identified have been manufactured under ULC's Follow-Up Service. Only those products bearing the ULC Mark should be considered to be Listed and covered under ULC's Follow-Up Service. Always look for the Mark on the product.

ULC permits the reproduction of the material contained in the ULC Online Directories subject to the following conditions: 1. The Guide Information, Designs and/or Listings (files) must be presented in their entirety and in a non-misleading manner, without any manipulation of the data (or drawings). 2. The statement "Reprinted from the ULC Online Directories with permission from Underwriters Laboratories of Canada Inc." must

appear adjacent to the extracted material. In addition, the reprinted material must include a copyright notice in the following format: "Copyright © 2010 Underwriters Laboratories of Canada Inc."

An independent organization working for a safer world with integrity, precision and knowledge.

